



PowerBase® 3140AT

Calcium Hypochlorite Chlorinator

Question: *What is the one thing that swimmers take for granted each and everyday?*

Answer: *Your water quality expertise.*

Particularly when it comes to sanitizing, there is no room for error. With Axiall's PowerBase Chlorinators you will be adding our 20+ years in the commercial pool business and thousands of pool installations to your expertise.



Model 3140AT

Engineered for *

- Indoor pools up to 2,000,000 gallons
- Outdoor un-stabilized pools up to 400,000 gallons
- Outdoor stabilized pools up to 700,000 gallons
- NSF 50 certified delivery — Up to 22 lbs/hr chlorine
- Tablet storage — 140 lbs.

Proven Performance. Big Benefits.

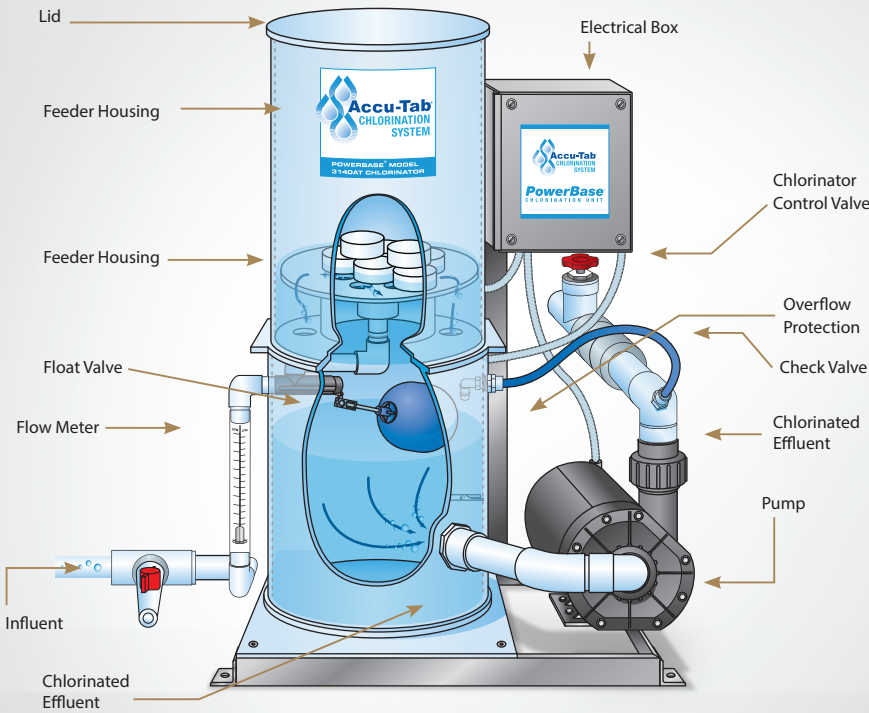
*Stabilizer levels assumed to be 15 ppm. Treatable gallons vary depending on factors such as bather load, climate, stabilizer level, etc.



PowerBase® Model 3140AT Chlorinator



The Accu-Tab® system combines the patented erosion feeder technology of the PowerBase® chlorinator with proprietary 3 1/8-inch Accu-Tab Blue SI calcium hypochlorite tablets. Together, the system delivers predictable rates of chlorine for commercial pool water applications.



SPECIFICATIONS

Size.....25"W x 45"L x 51"H
 Inlet Connection 2" Socket
 Outlet Connection 2" Socket
 Electrical requirements 120V 15 amp circuit

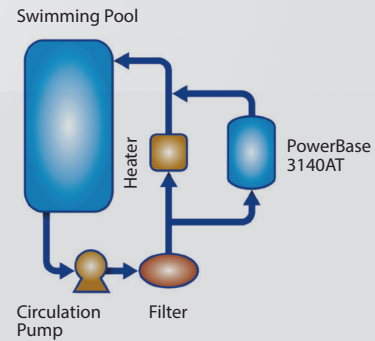
PowerBase Benefits

Easy to Install

- Two plumbing connections (inlet and outlet PVC plumbing)
- One electrical connection (plug included)
- One chemical controller connection (plug included)

Flexible and Easy-to-Operate System

- With or without chlorine controller
- Swimming pools and spray features
- Very few moving parts – minimizing maintenance
- No small openings that can clog
- Inlet strainer included
- Usually only annual cleaning required



Accu-Tab Blue SI 3 1/8-inch Tablets

Accu-Tab Blue SI 3 1/8-Inch calcium hypochlorite tablets are specially engineered and independently tested by the labs at NSF International to work in Accu-Tab systems in accordance with NSF/ANSI Standard 50 listed. They contain scale inhibitor for cleaner operation. For safety, the tablets have a blue speckled appearance which differentiates them from incompatible chemicals.

Flexible. Affordable. Reliable.

Axiall Water Treatment Products
 11 Stanwix Street, Suite 1900
 Pittsburgh, PA 15222
 www.Accu-Tab.com
 1-800-245-2974

